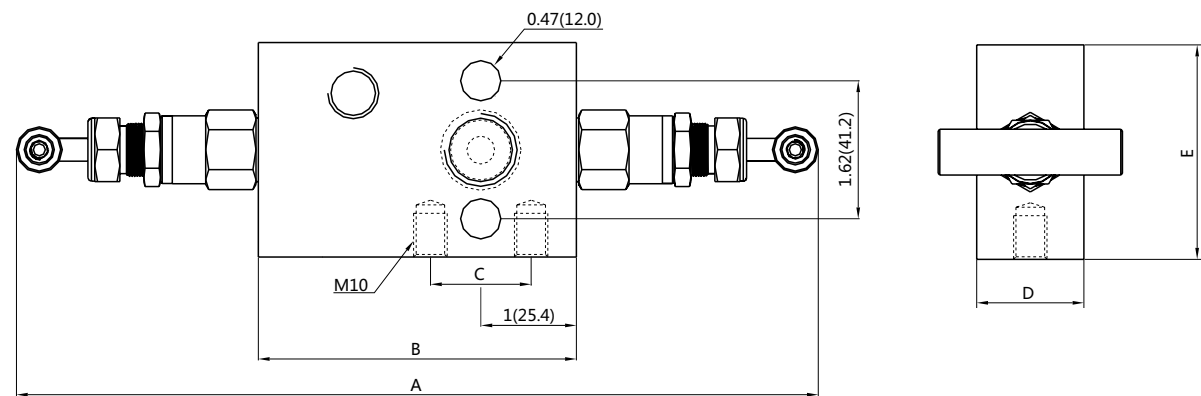
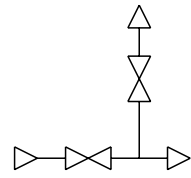
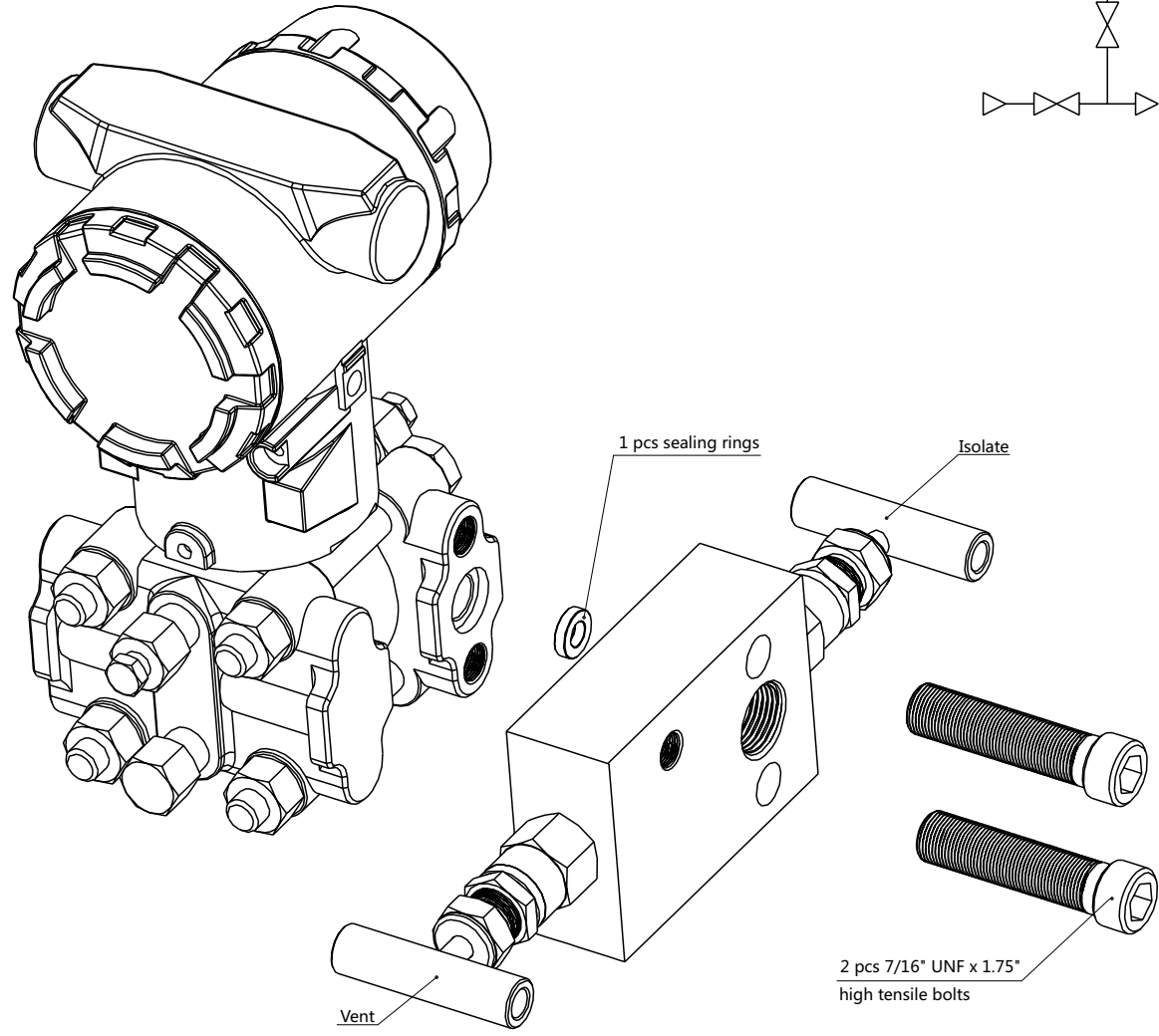


Direct-mount Manifolds

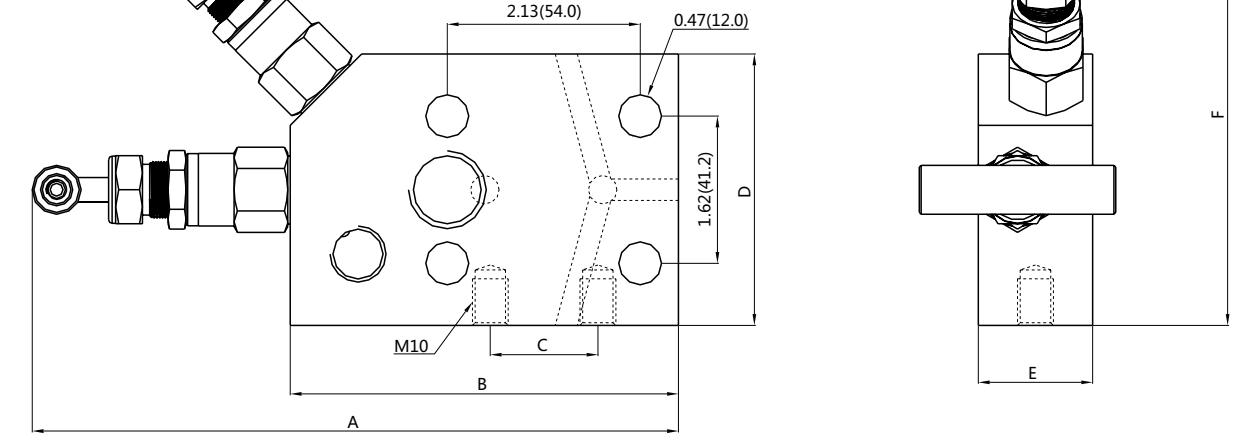
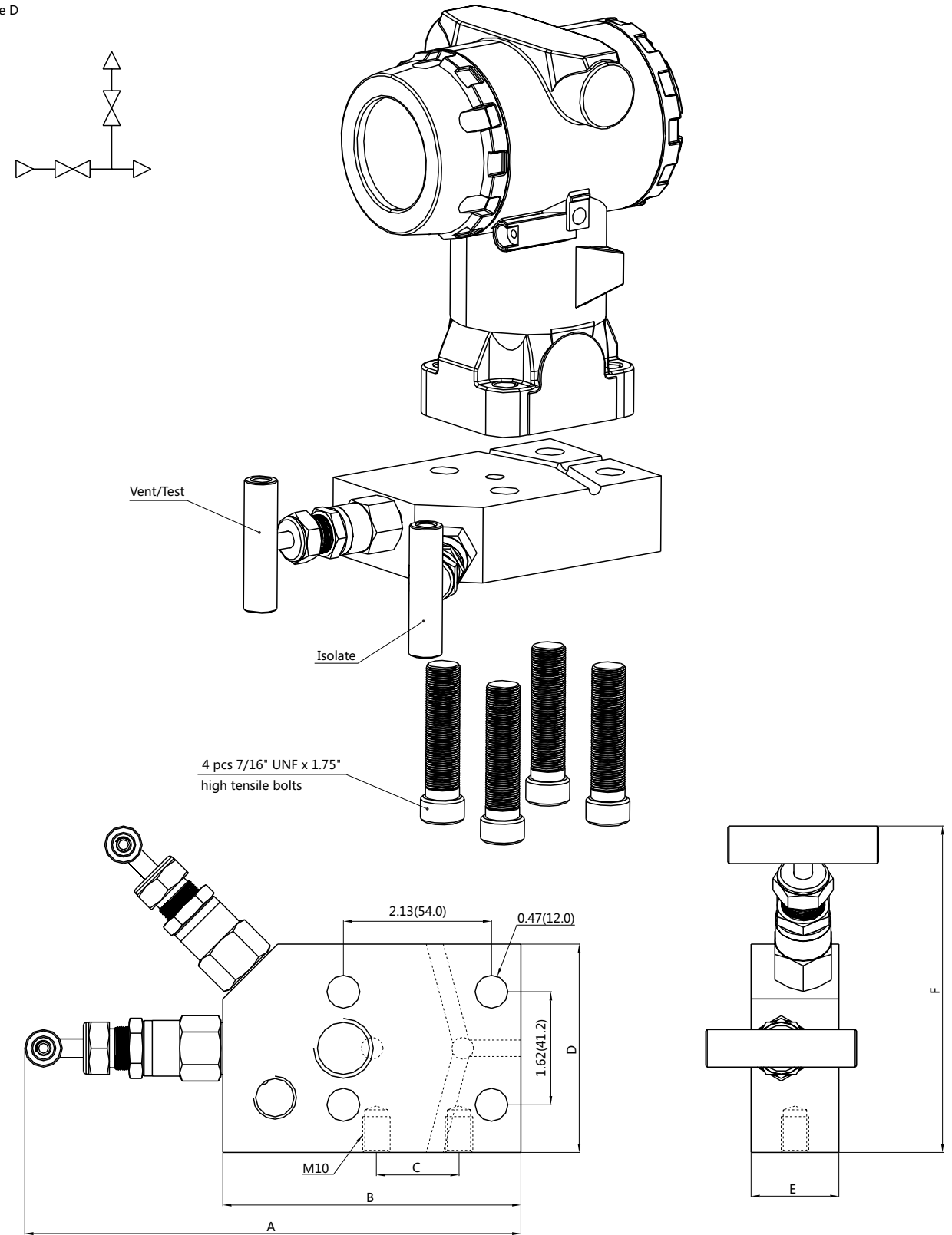
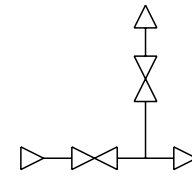
2-valve Manifolds

Type C



Connection Type and Size			Basic Ordering Number	Dimension, in. (mm)				
Inlet/Process	Outlet/Instrument	Vent/Test		A	B	C	D	E
1/2 Female NPT	Flanged	1/4 Female NPT	-2V-NT8F-C	9.68 (245.8)	3.74 (95.0)	1.18 (30.0)	1.26 (32.0)	2.52 (64.0)

Type D



Connection Type and Size			Basic Ordering Number	Dimension, in. (mm)					
Inlet/Process	Outlet/Instrument	Vent/Test		A	B	C	D	E	F
1/4 Female NPT	Transmitter	1/4 Female NPT	-2V-NT4F-D	7.30 (185.4)	4.33 (110.0)	1.18 (30.0)	2.99 (76.0)	1.26 (32.0)	4.70 (119.3)
1/2 Female NPT			-2V-NT8F-D						